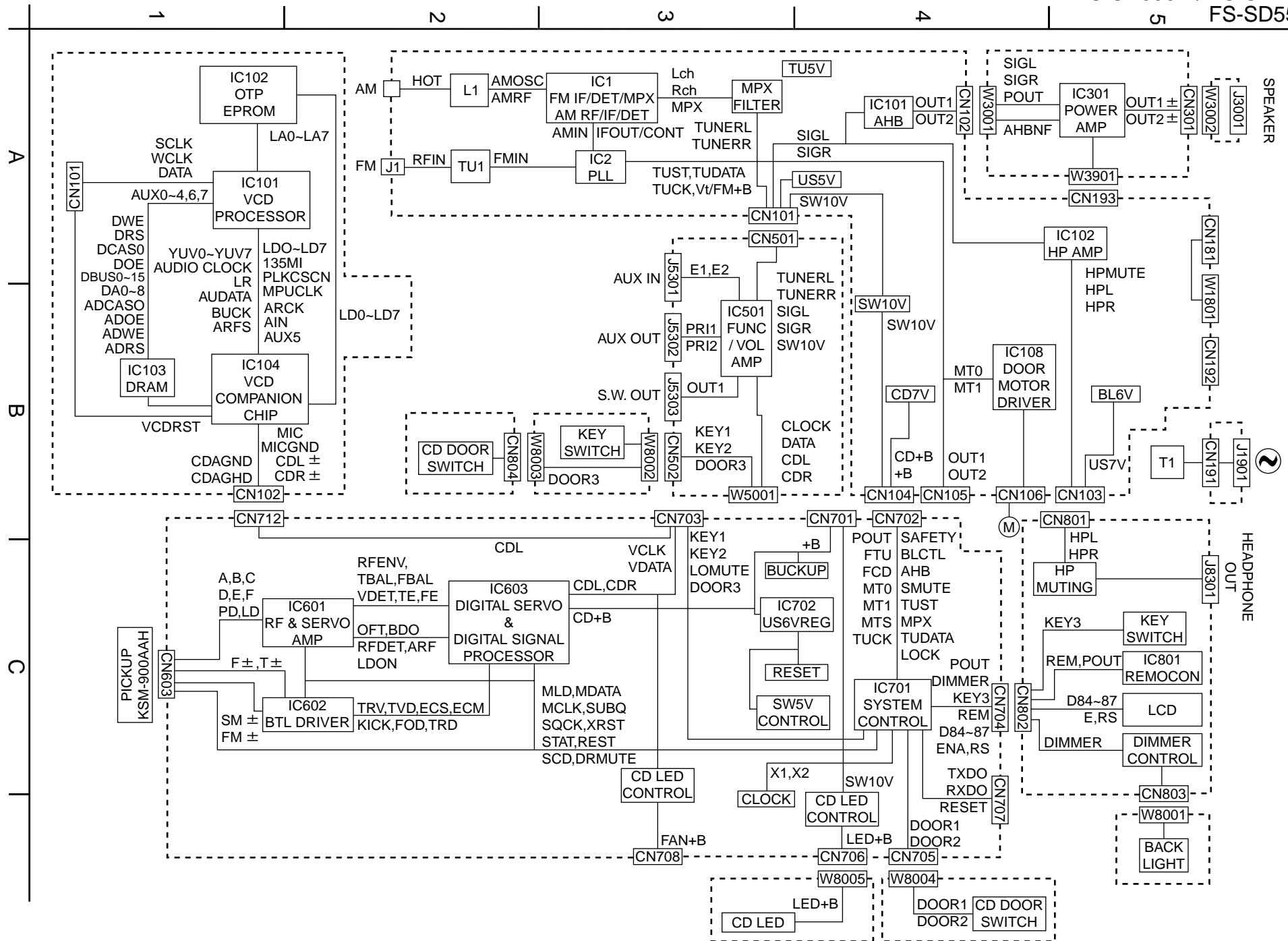


Block diagram

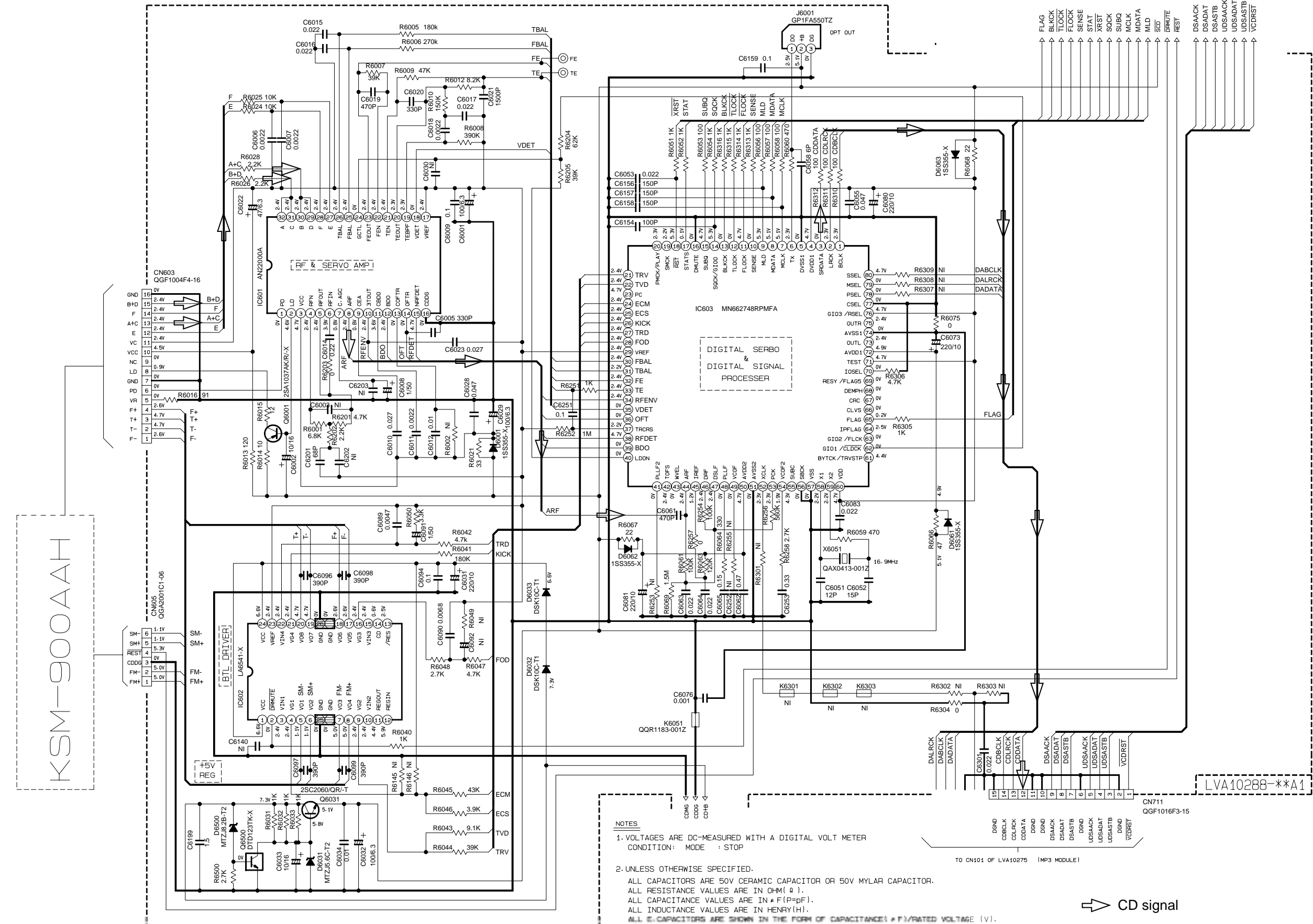


< M E M O >

Standard schematic diagrams

CD servo control section

5
4
3
2
1



KSM-900AAH

- NOTES**
1. VOLTAGES ARE DC-MEASURED WITH A DIGITAL VOLT METER
CONDITION: MODE : STOP
 2. UNLESS OTHERWISE SPECIFIED.
ALL CAPACITORS ARE 50V CERAMIC CAPACITOR OR 50V MYLAR CAPACITOR.
ALL RESISTANCE VALUES ARE IN OHM(Ω).
ALL CAPACITANCE VALUES ARE IN PICO(F=P=pF).
ALL INDUCTANCE VALUES ARE IN HENRY(H).ALL ELECTROLYTIC CAPACITORS ARE SHOWN IN THE FORM OF CAPACITANCE(μF)/RATED VOLTAGE (V).

➔ CD signal

Power supply & main circuit section

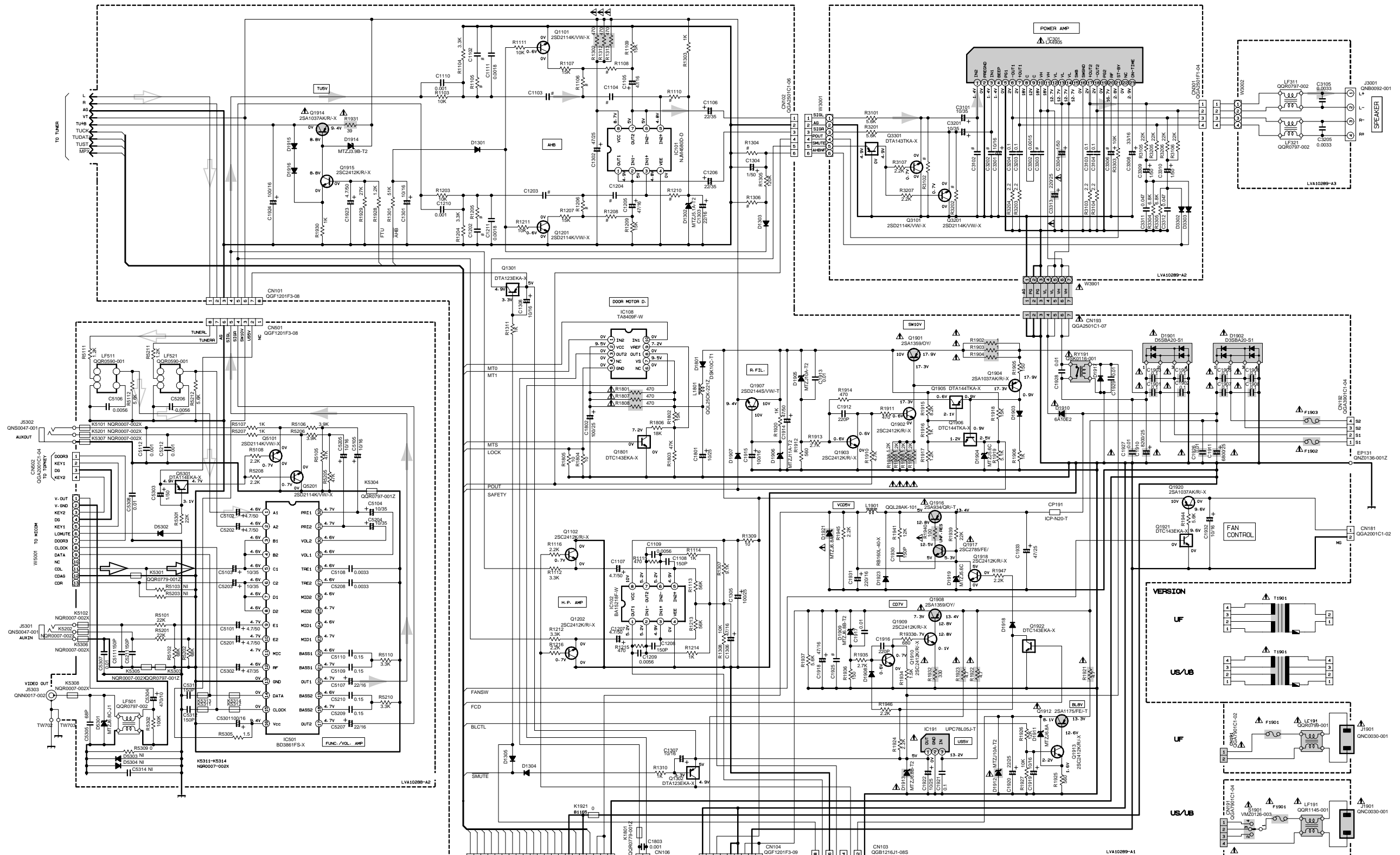
5

4

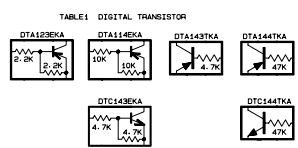
3

2

1



NOTES
1. VOLTAGES ARE DC-MEASURED WITH A DIGITAL VOLT METER OR OSCILLOSCOPE WITHOUT INPUT SIGNAL-CONDITION — CD STOP MODE V01.0
2. UNLESS OTHERWISE SPECIFIED RESISTORS ARE ±5% CARBON RESISTOR. ALL RESISTANCE VALUES ARE IN Ω (±). ALL CAPACITORS ARE CERAMIC CAPACITOR OR MYLAR CAPACITOR. ALL CAPACITANCE VALUES ARE IN pF (PpF). ALL INDUCTANCE VALUES ARE IN μH (HmH). ALL E-CAPACITORS ARE SHOWN IN THE FORM OF CAPACITANCE (μF)/RATED VOLTAGE (V). ALL DIODES ARE 1S1533



#Marks

R108	E108	E103	E104	R108	R108	R104	R106	R108	C303	C306	C105			
55K	3.9K	0.15	0.082	0.082	1.5K	3K	180K	150K	51K	6.8K	80P	0.01	100/30	0.01
78V	2.7K	0.22	0.056	0.056	3.9K	4.3K	20K	20K	56K	10K	80P	↑	↑	↑

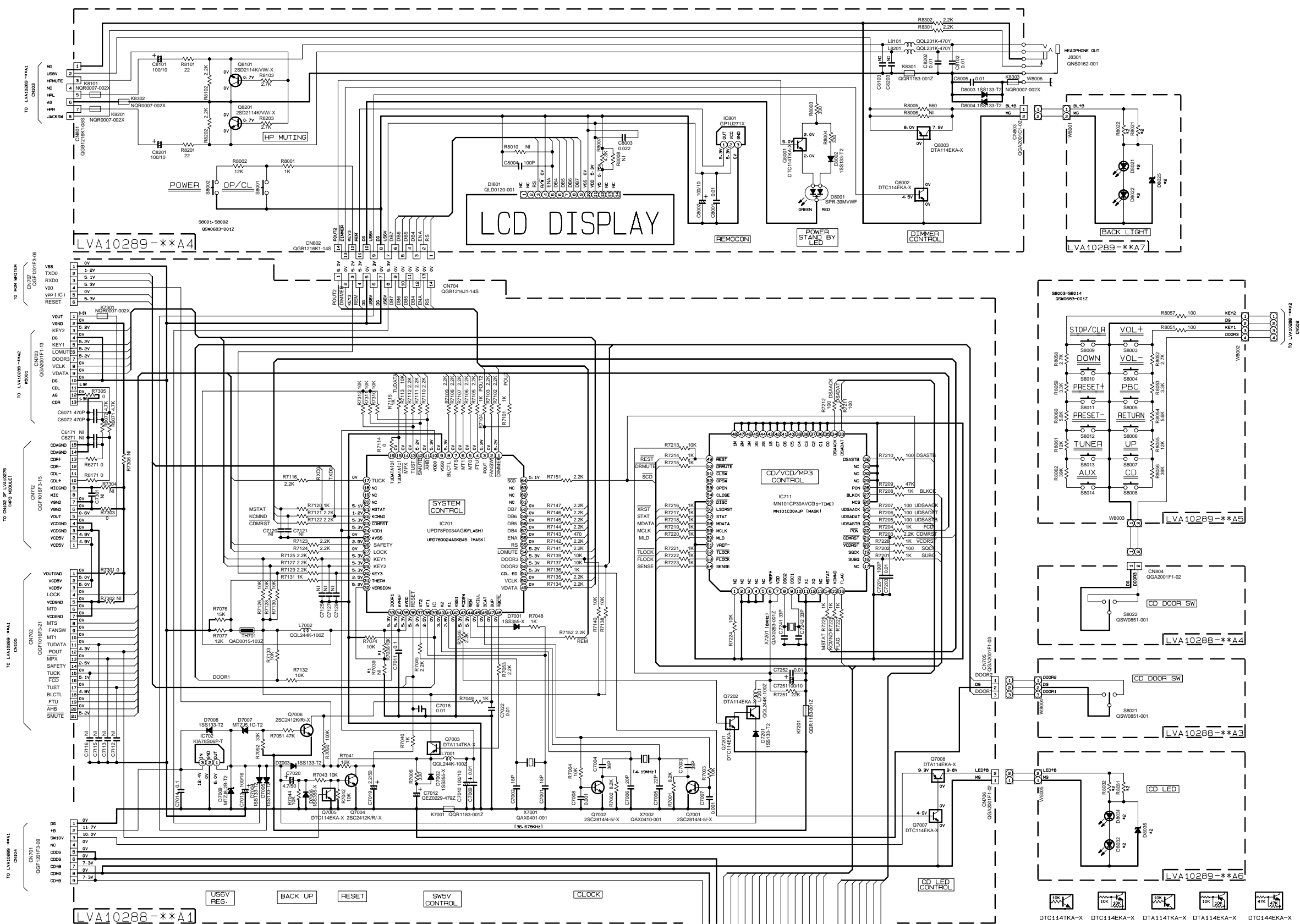
T1901	F1901	F1902	F1903	
US/LB	QGT0286-004	QMF51E2-190-V1	QMF51E2-590-J1	QMF51E2-3R15-V1
UF	QGT0286-004	QMF51E2-190-V1	QMF51E2-590-J1	QMF51E2-3R15-V1

Parts are safety assurance parts. When replacing those parts make sure to use the specified one.

Tuner signal
CD signal
Main signal

System control section

5
4
3
2
1



NOTES

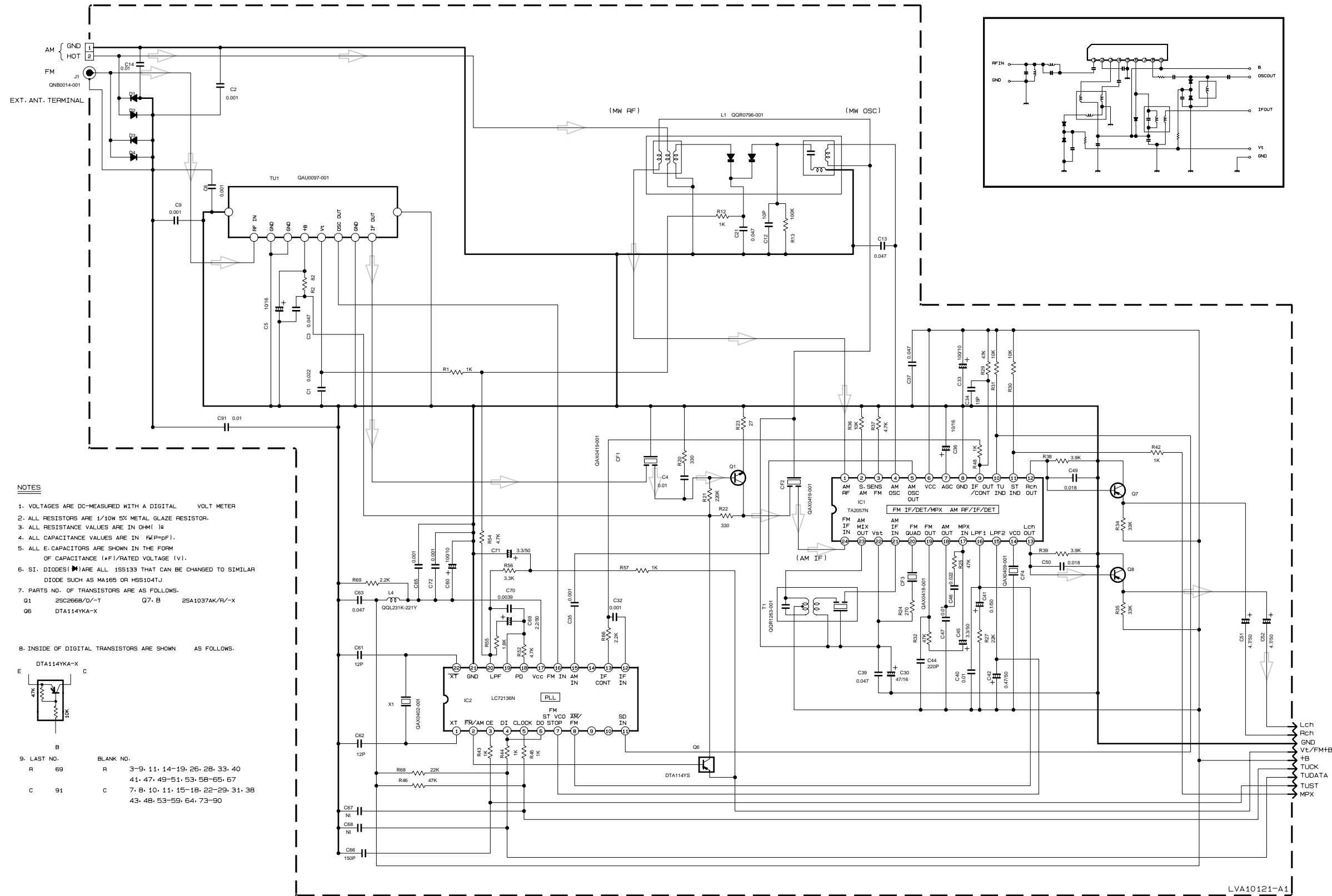
- VOLTAGES ARE DC-MEASURED WITH A DIGITAL VOLT METER OR OSCILLOSCOPE WITHOUT INPUT SIGNAL. CONDITION — CD STOP AT AC SUPPLY VOL -16 BASS-0 TREBLE-0 AHB-ON DIMMER-OFF
- UNLESS OTHERWISE SPECIFIED, RESISTORS ARE 1/10W ±5% MS RESISTOR, OR 1/16W. ALL RESISTANCE VALUES ARE IN OHM(Ω). ALL CAPACITORS ARE CERAMIC CAPACITOR OR MYLAR CAPACITOR. ALL CAPACITANCE VALUES ARE IN pF(pF). ALL INDUCTANCE VALUES ARE IN mH(mH). ALL CAPACITORS ARE SHOWN IN THE FORM OF CAPACITANCE (C-F)/RATED VOLTAGE (V).

*1	US/UB/LF
R7038	10K
R7039	NI

*2	558V/778V	998V
D8021-D8022	SELU1E50CM	TLVH156P/ST
D8025	MTZJ10C-T2	-
R8021-R8022	100	390
D8031-D8032	SELU1E568M	TLVH156P/ST
D8035	MA3100/M-X	-



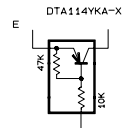
■ Tuner section



NOTES

1. VOLTAGES ARE DC-MEASURED WITH A DIGITAL VOLT METER
2. ALL RESISTORS ARE 1/10W 5% METAL GLAZE RESISTOR.
3. ALL RESISTANCE VALUES ARE IN OHM (Ω)
4. ALL CAPACITANCE VALUES ARE IN PPF (pF).
5. ALL E. CAPACITORS ARE SHOWN IN THE FORM OF CAPACITANCE (nF)/RATED VOLTAGE (V).
6. SI. DIODES (S) ARE ALL 1SS133 THAT CAN BE CHANGED TO SIMILAR DIODE SUCH AS MA165 OR HSS104TJ
7. PARTS NO. OF TRANSISTORS ARE AS FOLLOWS:
Q1 2SC2668/O/-T Q7 B 2SA1037AK/R/-X
Q6 DTA114YKA-X

8. INSIDE OF DIGITAL TRANSISTORS ARE SHOWN AS FOLLOWS.



LAST NO.	BLANK NO.
R 69	R 3-9, 11, 14-19, 26, 28, 33, 40
C 91	C 41, 47, 49-51, 53, 58-65, 67
	C 7, 8, 10, 11, 15-18, 22-29, 31, 38
	C 43, 48, 53-59, 64, 73-90

CONDITION	PIN NO.	1	2	3	4	5	6	7	8	9	10	11	12	13	14	15	16	17	18	19	20	21	22	23	24
IC1	FM NO SIGNAL	2.0	0.5	0	2.0	5.1	5.1	0	0	0.3	5.1	5.1	1.1	1.1	4.4	3.7	3.7	1.4	0	1.3	1.1	2.0	2.0	5.1	2.0
	FM 60dB STEREO	2.0	0.5	0	2.0	5.1	5.1	1.1	0	0.3	0	0	1.1	1.1	4.3	4.1	3.7	1.4	0	1.4	1.1	2.0	2.0	5.1	2.0
	AM NO SIGNAL	2.0	0.5	0	2.0	5.1	5.1	0	0	0.3	5.1	5.1	1.1	1.1	4.5	0.1	0	1.4	1.4	1.5	1.6	2.0	2.0	5.1	2.0
IC2	FM NO SIGNAL	2.4	0	0	1.1	5.0	1.1	3.7	3.7	0	0	5.1	0	0	0	2.6	5.1	1.0	1.0	3.7	0	2.7			

Tr No.	Q1	Q6	Q7	Q8								
FM 87.5MHz	0	7.5	0.7	8.8	0	1.6	0	1.1	1.6	0	1.1	
AM 520KHz	0	0	0	8.8	0	8.7	1.6	0	1.1	1.6	0	1.1

➡ Tuner signal

LVA10121-A1

■ VCD control section

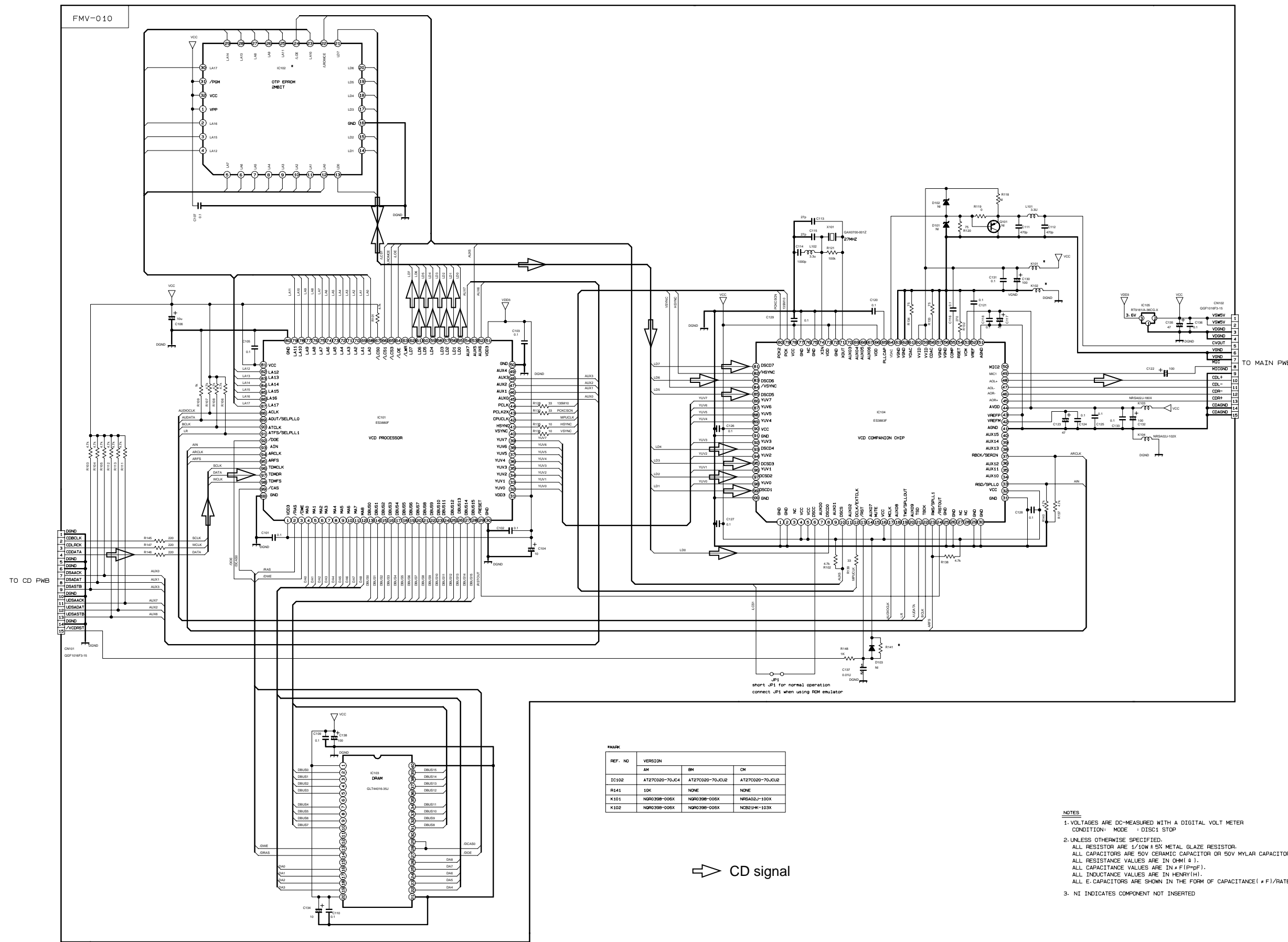
5

4

3

2

1



MARK

REF. NO	VERSION	BH	CM
IC102	AT27C020-70J4	AT27C020-70J4	AT27C020-70J4
R141	10K	NONE	NONE
K101	NGR0398-006X	NGR0398-006X	NFSA02J-100X
K102	NGR0398-006X	NGR0398-006X	NCB214K-103X

- NOTES
1. VOLTAGES ARE DC-MEASURED WITH A DIGITAL VOLT METER
CONDITION: MODE : DISC1 STOP
 2. UNLESS OTHERWISE SPECIFIED,
ALL RESISTOR ARE 1/10W ± 5% METAL GLAZE RESISTOR.
ALL CAPACITORS ARE 50V CERAMIC CAPACITOR OR 50V MYLAR CAPACITOR.
ALL RESISTANCE VALUES ARE IN OHM (Ω).
ALL CAPACITANCE VALUES ARE IN nF (pF).
ALL INDUCTANCE VALUES ARE IN HENRY (H).
ALL E-CAPACITORS ARE SHOWN IN THE FORM OF CAPACITANCE (μF)/RATED VOLTAGE (V).
 3. NI INDICATES COMPONENT NOT INSERTED

➔ CD signal

